

Technical data sheet

Product features



Cooking range gas with electric static oven

Model	SAP Code	00014797
--------------	-----------------	----------



- Device type: Combined unit
- Ignition: Eternal flame
- Type of internal part of the appliance 1 (eg oven): Electric
- Type of internal part of the appliance 2 (eg oven): Static
- Material: AISI 304 top plate and cladding

SAP Code	00014797	Loading	400 V / 3N - 50 Hz
Net Width [mm]	1200	Power gas [kW]	39.000
Net Depth [mm]	730	Type of gas	Natural gas, propane butane
Net Height [mm]	900	Type of internal part of the appliance 1 (eg oven)	Electric
Net Weight [kg]	155.00	Type of internal part of the appliance 2 (eg oven)	Static
Power electric [kW]	8.700		

Technical data sheet

Technical drawing

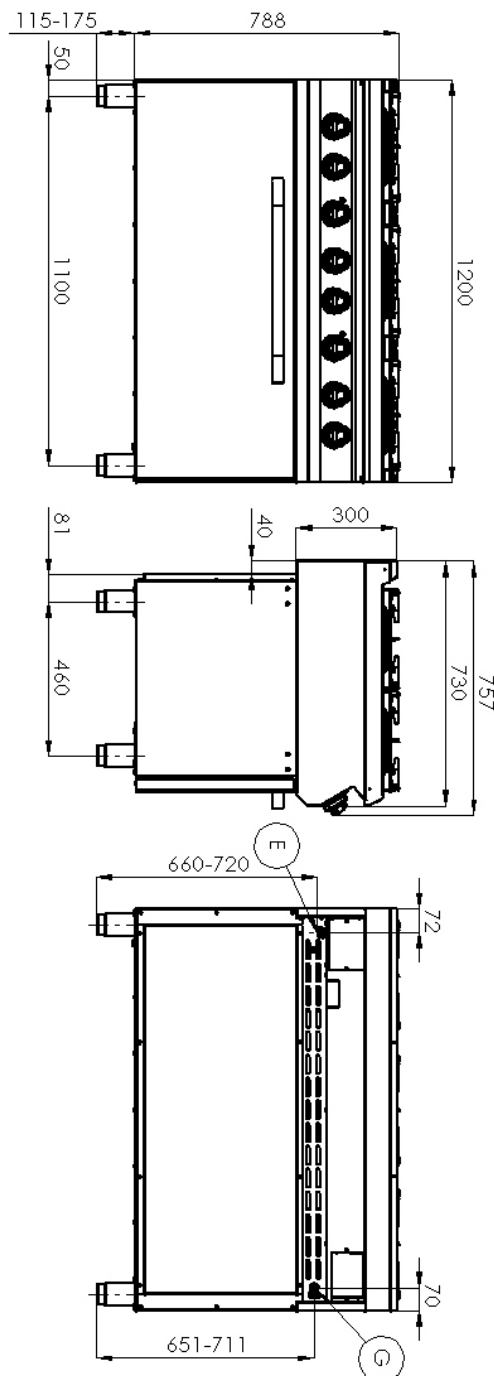


Cooking range gas with electric static oven

Model

SAP Code

00014797



Technical data sheet

Technical parameters



Cooking range gas with electric static oven

Model

SAP Code

00014797

1. SAP Code:

00014797

2. Net Width [mm]:

1200

3. Net Depth [mm]:

730

4. Net Height [mm]:

900

5. Net Weight [kg]:

155.00

6. Gross Width [mm]:

1260

7. Gross depth [mm]:

820

8. Gross Height [mm]:

1080

9. Gross Weight [kg]:

171.00

10. Device type:

Combined unit

11. Construction type of device:

Stationary

12. Power electric [kW]:

8.700

13. Loading:

400 V / 3N - 50 Hz

14. Power gas [kW]:

39.000

15. Ignition:

Eternal flame

16. Type of gas:

Natural gas, propane butane

17. Device color:

Stainless steel

18. Material:

AISI 304 top plate and cladding

19. Worktop type:

Molded - comfortable cleaning maintenance

20. Worktop material:

AISI 304

21. Worktop Thickness [mm]:

1.50

22. Grid material:

Cast iron

23. Service accessibility:

Trough the frontal panel

24. Safety thermocouple:

Yes

25. Adjustable feet:

Yes

26. Number of burners/hot plates:

6

27. Type of gas cooking zones:

Classic

28. Burner type:

Cast iron, detachable, with internal and external combustion

Technical data sheet

Technical parameters



Cooking range gas with electric static oven

Model

SAP Code

00014797

29. Oven Type:

electrical static

32. Type of internal part of the appliance 1 (eg oven):

Electric

30. Oven power gas [kW]:

8.70

33. Type of internal part of the appliance 2 (eg oven):

Static

31. Oven size:

GN 3x 1/1

34. Gasket:

Yes